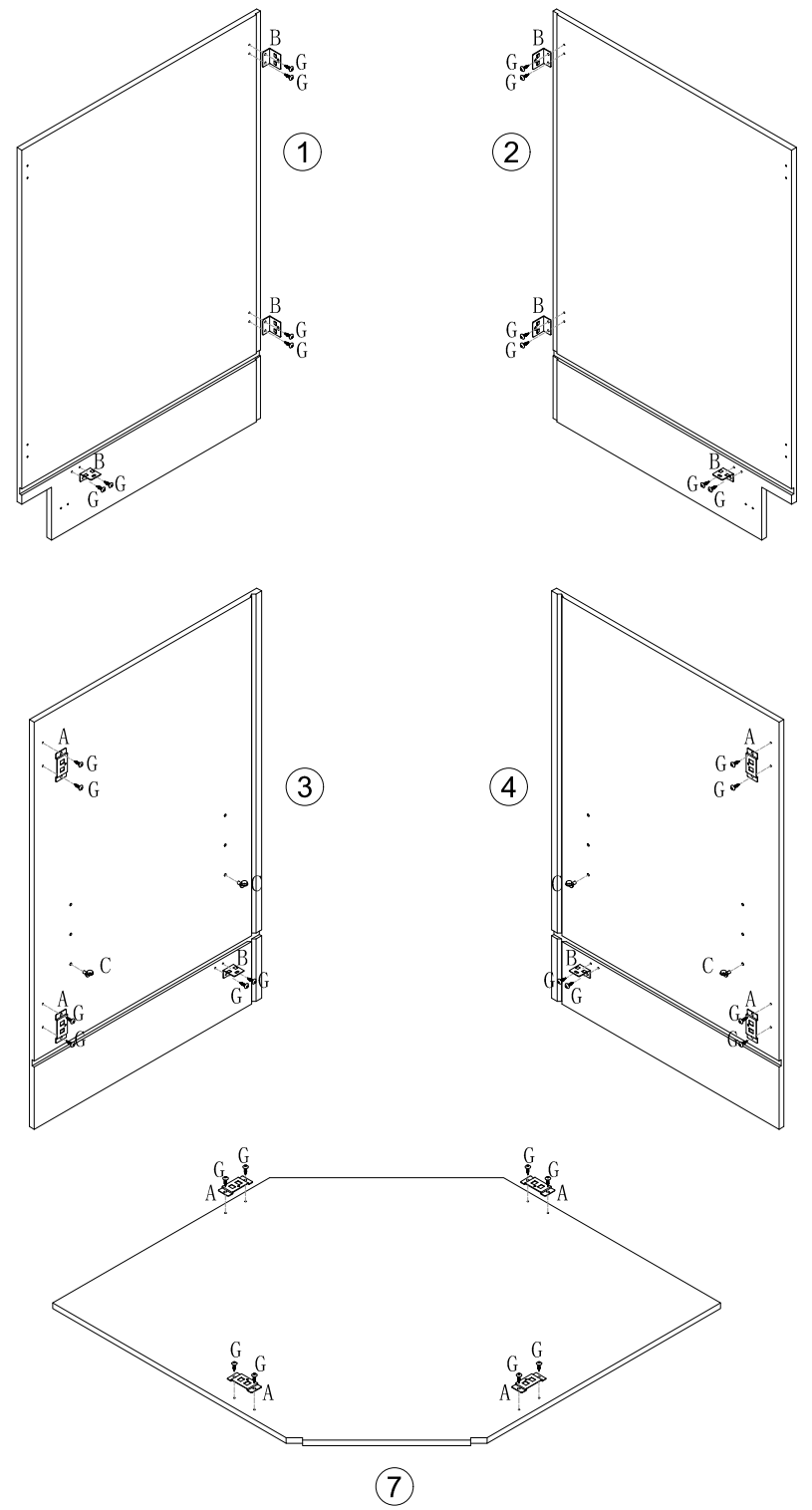
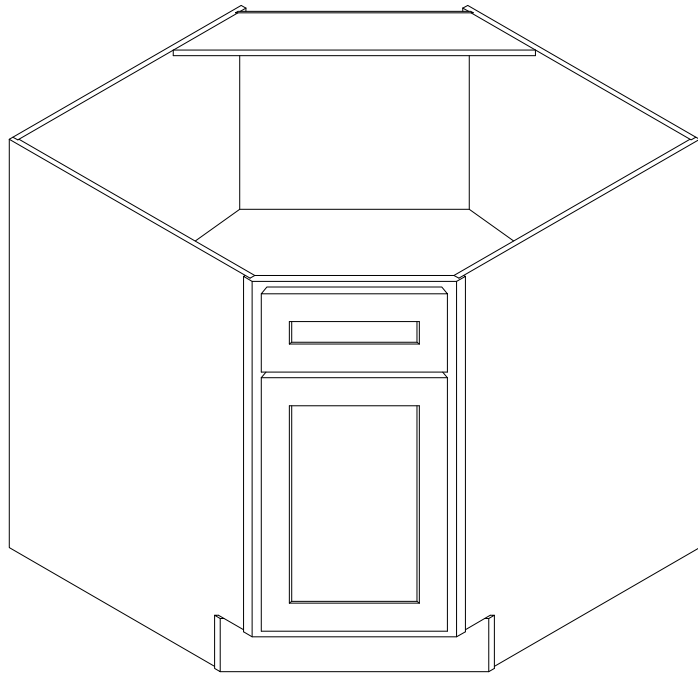


ASSEMBLY INSTRUCTIONS

DSB36

Step 1

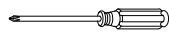


Parts list

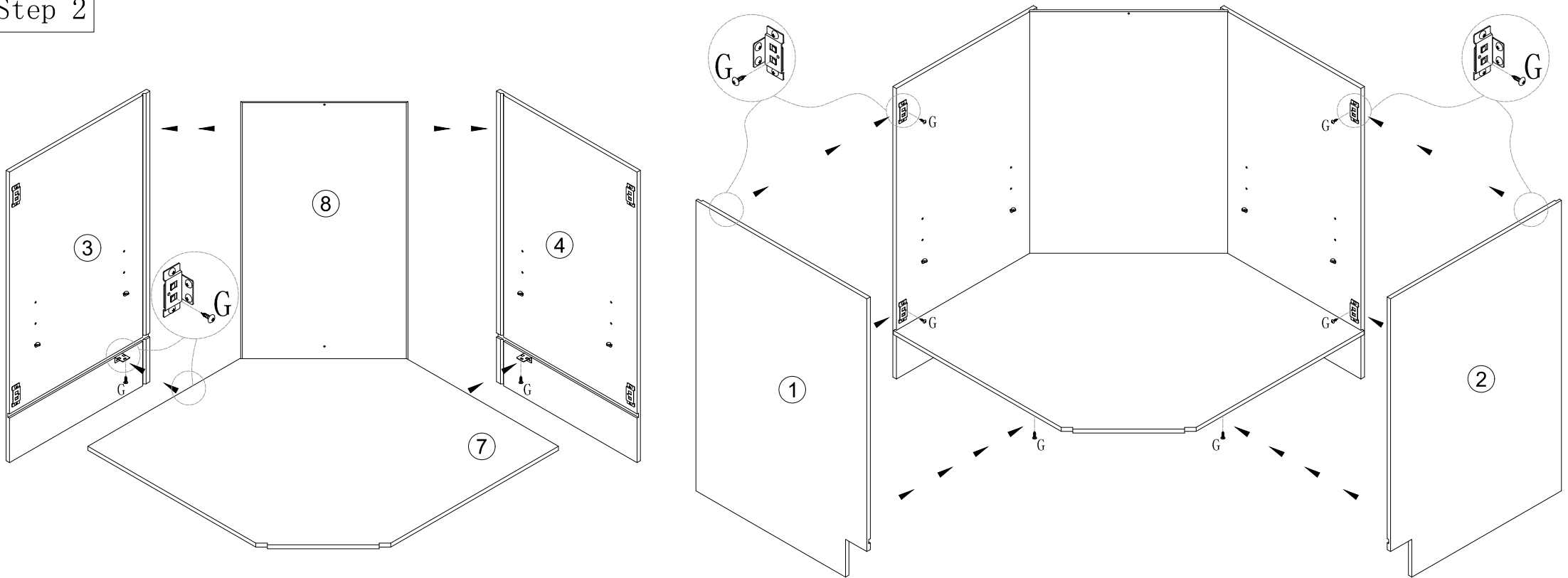
NO.	Parts	QTY
A		8
B		8
C		4
D		40
E		4

NO.	Parts	QTY
F		2
G		40
H		4
I		2

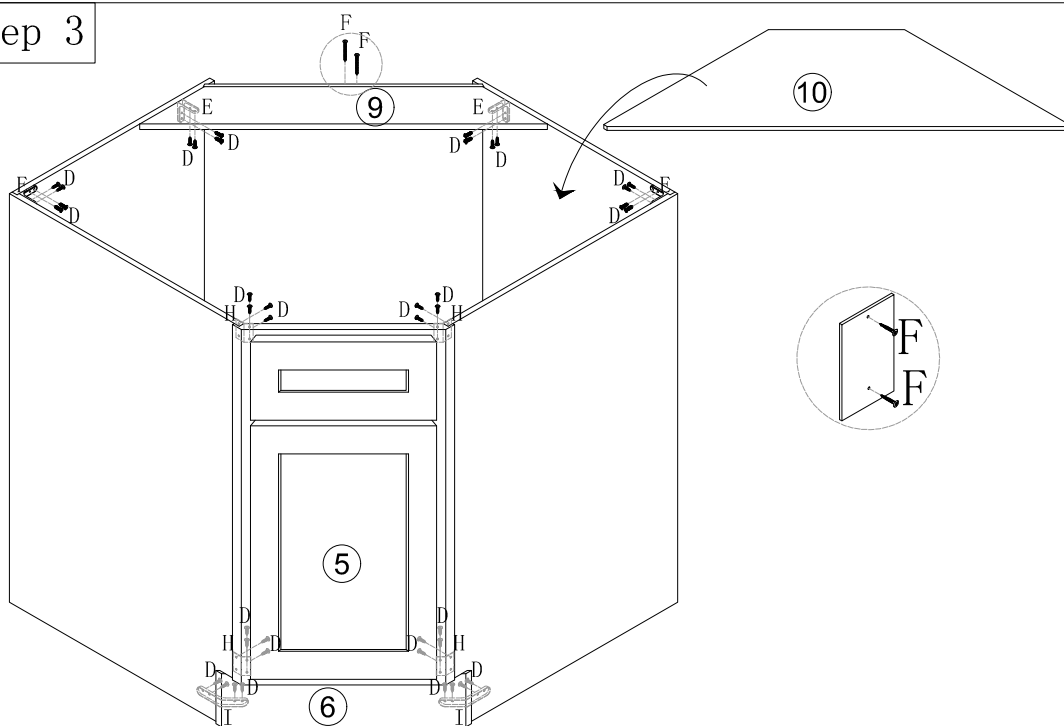
Tools
(required but not provided)



Step 2



Step 3



Finished

